

CHAPTER VI

SHOWER CHANNELS

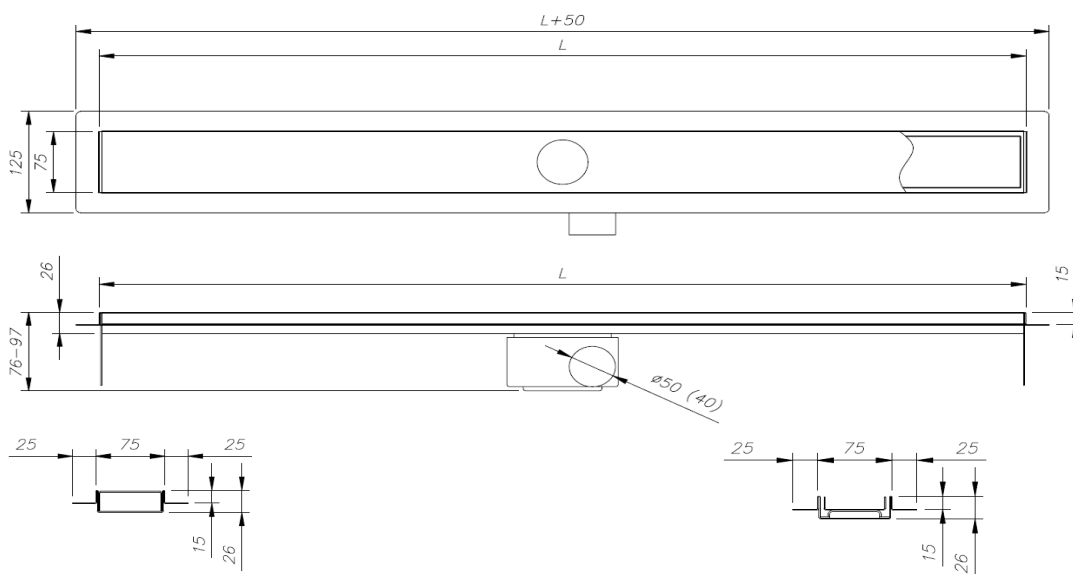
Stainless steel
products



ZEW
INWESTYCJE

STAINLESS STEEL PRODUCTS

SHOWER CHANNEL WITH ABS OUTLETS



Symbol	catalogue number	minimal height with outlet [mm]
Op75.L(mm).ZF-SP50	01.010.13x.L	97
Op75.L(mm).ZF-SP40	01.010.83x.L	76 (lower trap)

(*) individual dimensions and siphon location on request

(**) in the catalog number, place the grid number in place of x, and in place of length L [dcm]



DRAINAGE ELEMENTS

Channels body

Grating: K3

ABS Trap: standard SP50 or lower SP40
loading class according to EN 1253



MATERIAL

Stainless steel AISI 304 or AISI 316L



TYPES OF GRATINGS

0 – for ceramic tiles

1 – smooth

2 – greek

3 – wave

4 – square

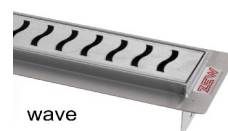
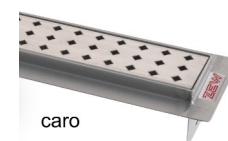
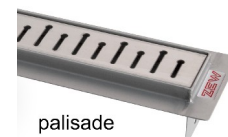
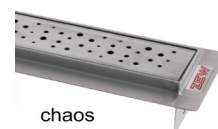
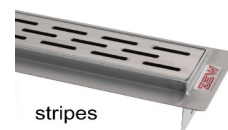
5 – wave in

6 – caro

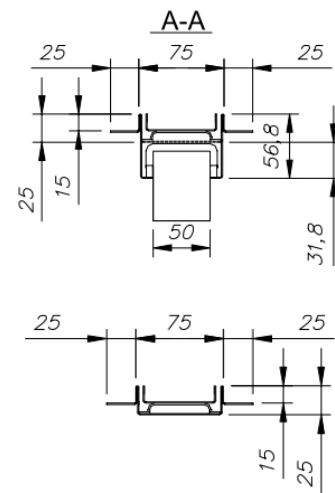
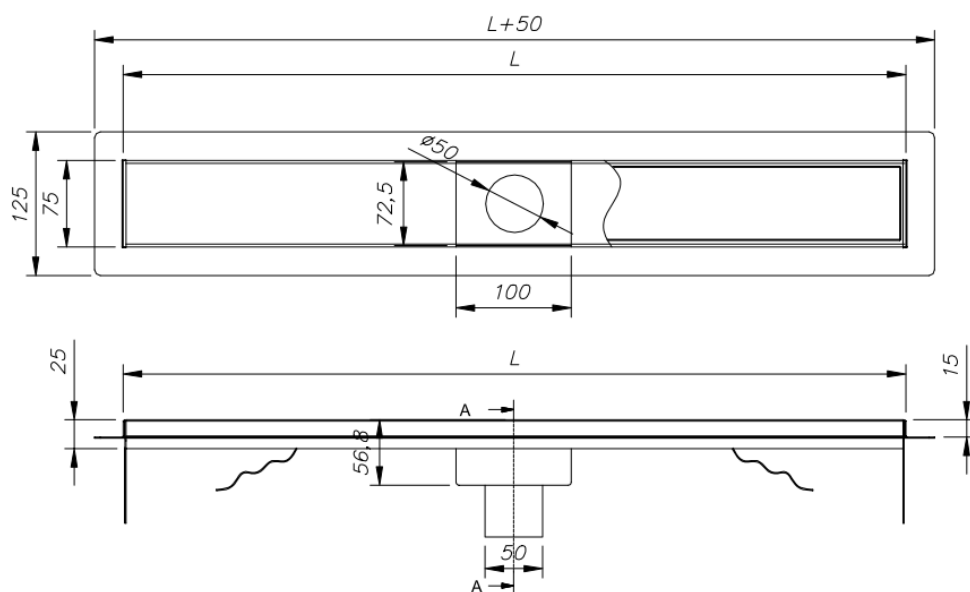
7 – rainbow

8 – chaos

9 – stripes



SHOWER CHANNEL WITH METAL OUTLETS



Symbol	catalogue number	minimal height with outlet [mm]
Op75.L(mm).ZF-SM50	01.010.41x.L	56,8

(*) individual dimensions and siphon location on request

(**) in the catalog number, place the grid number in place of x, and in place of length L [dcm]



DRAINAGE ELEMENTS

Channels body

Grating: K3

Metal vertical Trap: SM50

loading class accordind to EN 1253



MATERIAL

Stainless steel AISI 304 or AISI 316L



TYPES OF GRATINGS

0 – for ceramic tiles

1 – smooth

2 – greek

3 – wave

4 – square

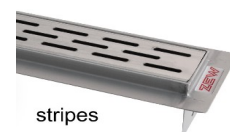
5 – wave in

6 – caro

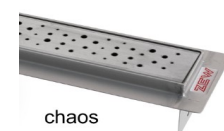
7 – rainbow

8 – chaos

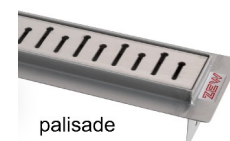
9 – stripes



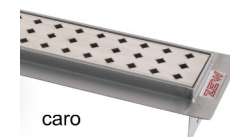
stripes



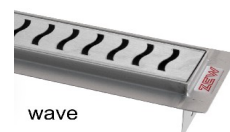
chaos



palisade

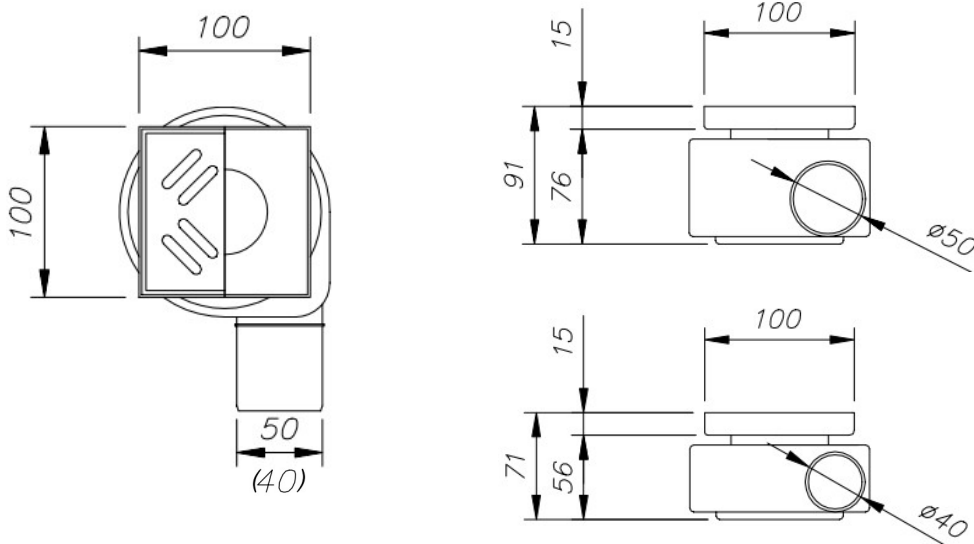


caro



wave

SHOWER CHANNEL WITH ABS OUTLETS



Symbol	catalogue number	minimal height with outlet [mm]
Wp100.100.ZF-SP50	01.100.13x.001	91
Wp100.100.ZF-SP40	01.100.53x.001	71 (lower trap)

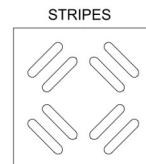
(*) individual dimensions and siphon location on request

(**) in the catalog number, place the grid number in place of x, and in place of length L [dcm]



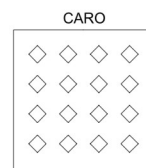
DRAINAGE ELEMENTS

Channels body
Grating: K3
ABS Trap: standard SP50 or lower SP40
loading class according to EN 1253



MATERIAL

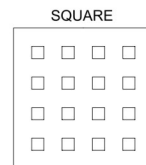
Stainless steel AISI 304 or AISI 316L



TYPES OF GRATINGS

- 4 – square
- 6 – caro
- 9 – stripes

all gaps in the gratings up to 8 mm wide





POLISH
PRODUCT



SEE MORE
www.zew-inwestycje.eu



ZEW INWESTYCJE

5a Magazynowa Street
30-858 Kraków

phone: +48 515 296 026

kontakt@zew-inwestycje.eu
www.zew-inwestycje.eu